

Mylar Speaker (Internal Magnet)

Model: MIU45R-22H4.0W4



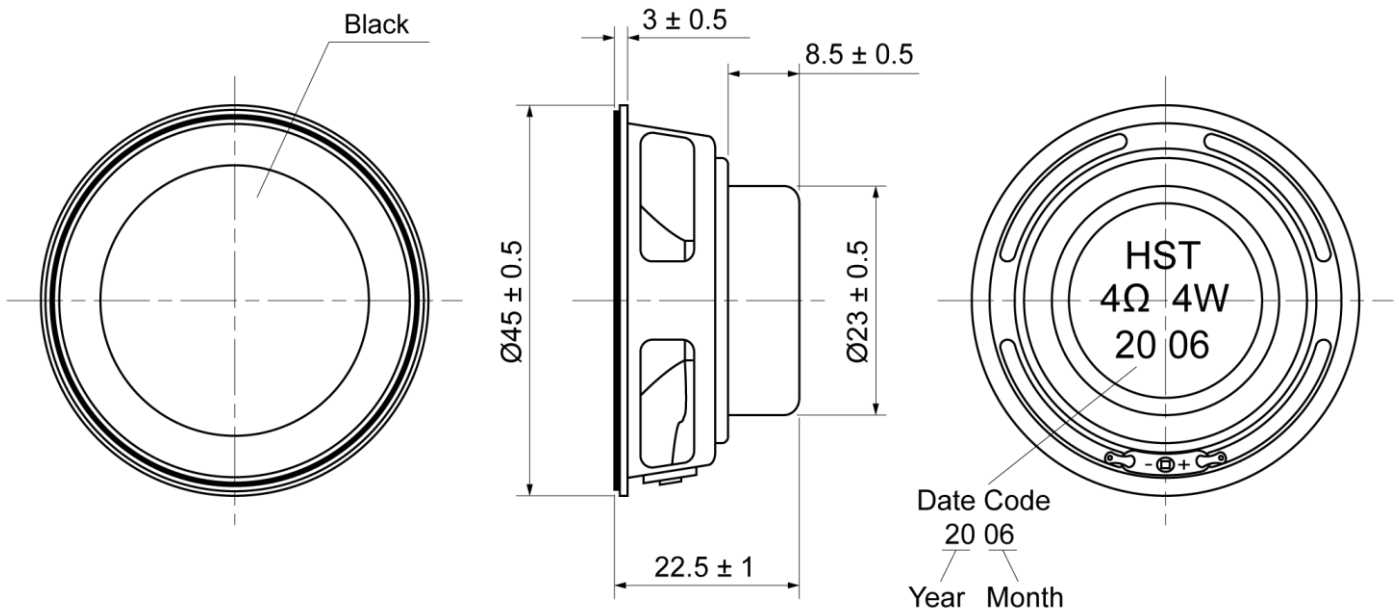
ELECTRICAL SPECIFICATIONS

| | Condition | Parameter | Unit |
|-------------------------|------------------------------------------------|------------|------|
| Sound Pressure Level | at 1.0W, 1.0M [at 1.0, 1.2, 1.5, 2.0 KHz] | 83 ± 3 | dB |
| Impedance | at 1V, 800Hz | 4 ± 15% | Ω |
| Rated Input Power | | 4 | W |
| Max Input Power | | 5 | W |
| Resonant Frequency (Fo) | at 1V | 140 ± 20% | Hz |
| Frequency Range | | Fo ~ 20000 | Hz |
| Buzzer & Rattles | not be audible at sine wave between 120 ~ 3KHz | 4 | V |
| Operating Temperature | | -20 ~ 60 | °C |
| Magnet | | Nd-Fe-B | |
| Frame Material | | Metal | |
| Cone Material | | PP | |
| Weight | | 31 | g |

MECHANICAL DRAWING

Dimensions in mm

Tolerance ±0.5mm Except Specified



Mylar Speaker (Internal Magnet)

Model: MIU45R-22H4.0W4

FREQUENCY RESPONSE CURVE

